

Specifications

- Current rating: 9A AC,DC
- Voltage rating: 600V AC,DC
- Temperature range: -25°C ~ +85°C
- Contact resistance: 10mΩ Max.
- Insulation resistance: 1000MΩ Min.
- Withstanding voltage: 1500V AC/minute
- *Contact H.R for details*

Standards



E179987



LR113464



R 3-50004394

Ordering code

① C4255 ② F-T ③ B ④ E ⑤ -A

- ① Series No.
- ② Terminal type: F=Female, M=Male
- ③ Plating code: T=Tin-plated
- ④ Material: P=Phosphor bronze, B=Brass
- ⑤ E=Stamping before plating
- ⑥ Option code: (Refer to drawings)

① C4255 ② HM ③ A- ④ 2X ⑤ 05P ⑥ -V0

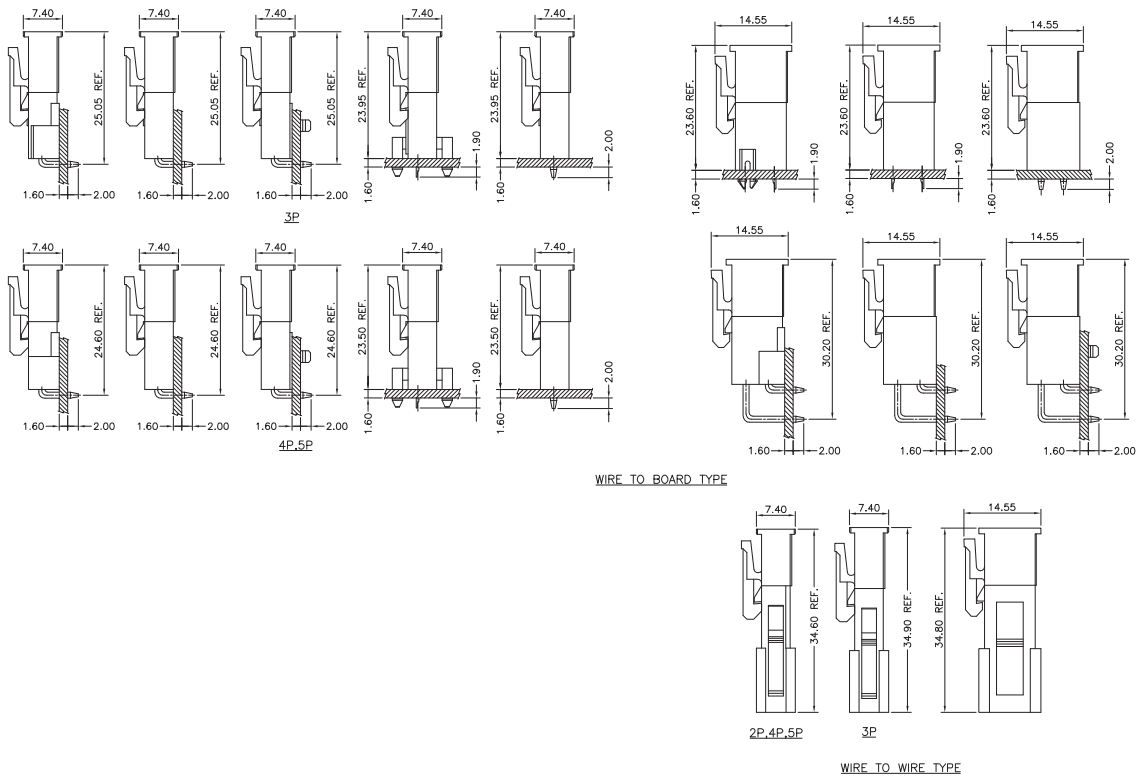
- ① Series No.
- ② Housing type: HF=Receptacle, HM=Plug
- ③ Blank=With mounting ears
A=Without mounting ears
- ④ Blank=Single row, 2X=Dual row
- ⑤ No. of circuits
- ⑥ Option code: -V0=UL94V-0

① C4255 ② WV ③ A ④ -F- ⑤ 2X ⑥ 05P ⑦ 46

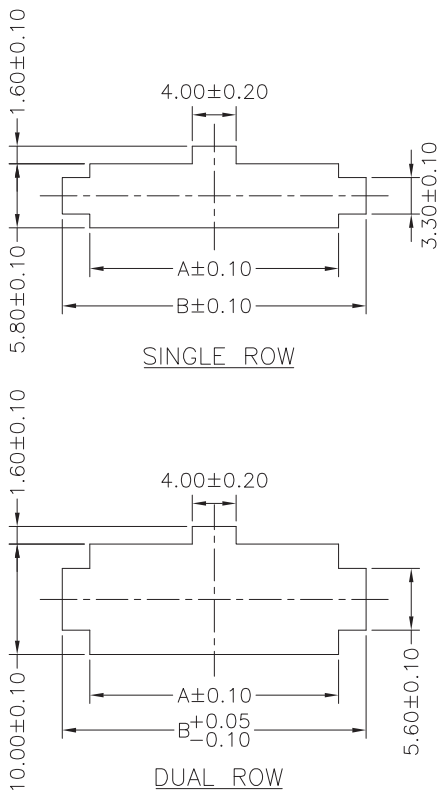
- ① Series No.
- ② Connector type: WV=Vertical, WR=Right angle
- ③ Blank=Square pin
A=Press pin
- ④ Blank=Normal type
-F=With peg, -E=With ear
- ⑤ Blank=Single row, 2X=Dual row
- ⑥ No. of circuits
- ⑦ Option code:
46=Nylon 46(Press pin type only)



Assembly layout



Panel hole layout



PART NO.		Dimensions	
SINGLE ROW	DUAL ROW	A	B
-----	C4255HM-2X01P	5.80	10.80
C4255HM-02P	C4255HM-2X02P	10.00	15.00
C4255HM-03P	C4255HM-2X03P	14.20	19.20
C4255HM-04P	C4255HM-2X04P	18.40	23.40
C4255HM-05P	C4255HM-2X05P	22.60	27.60
C4255HM-06P	C4255HM-2X06P	26.80	31.80
C4255HM-07P	C4255HM-2X07P	31.00	36.00
C4255HM-08P	C4255HM-2X08P	35.20	40.20
C4255HM-09P	C4255HM-2X09P	39.40	44.40
C4255HM-10P	C4255HM-2X10P	43.60	48.60
C4255HM-11P	C4255HM-2X11P	47.80	52.80
C4255HM-12P	C4255HM-2X12P	52.00	57.00

Unit:mm



C4255 SERIES

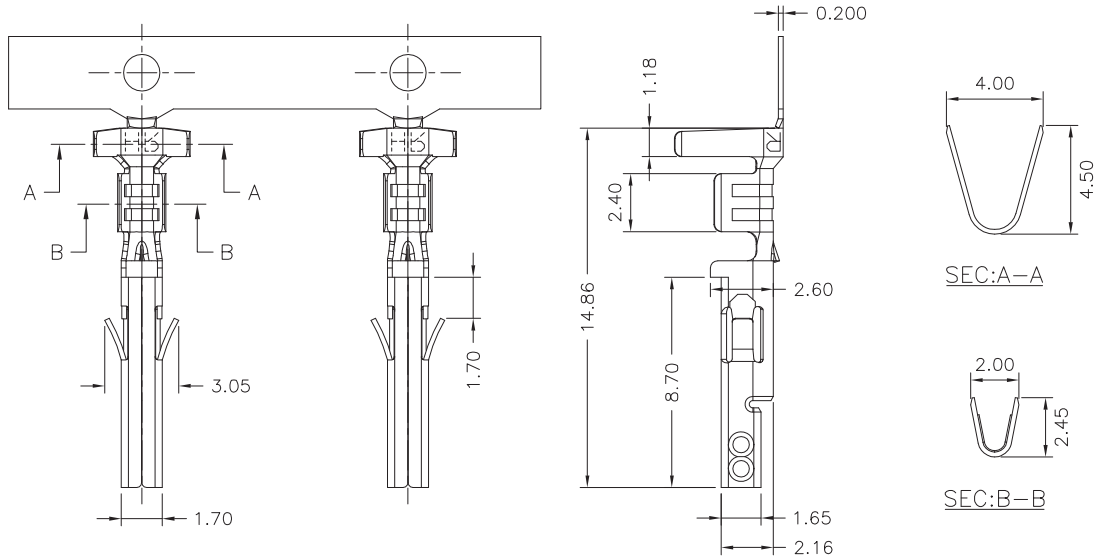
4.20mm pitch wire to wire and wire to board connector

C4255F-T

4.20mm pitch Crimp Terminal

Reference Informations:

*Used in H.R C4255HF series Housing



Ordering Information & Specifications:

Unit:mm

Part No.	Wire Range	Insulation O.D.	Material	Finish	Qty/reel
C4255F-TBE-A	AWG#18-#24	3.10mm(max)	Brass	Tin-plated	5,000pcs
C4255F-TPE-A	AWG#18-#24	3.10mm(max)	Phosphor Bronze	Tin-plated	5,000pcs

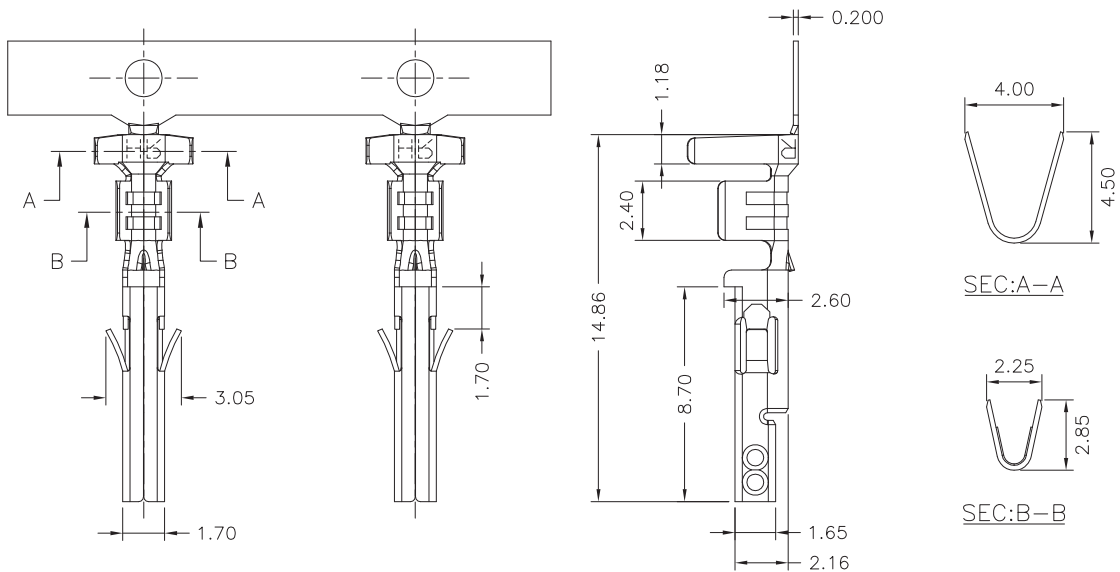
Note:E-Stamping before Tin-plated

C4255F-T

4.20mm pitch Crimp Terminal

Reference Informations:

*Used in H.R C4255HF series Housing



Ordering Information & Specifications:

Unit:mm

Part No.	Wire Range	Insulation O.D.	Material	Finish	Qty/reel
C4255F-TBE-HA	AWG#16-#24	3.10mm(max)	Brass	Tin-plated	5,000pcs
C4255F-TPE-HA	AWG#16-#24	3.10mm(max)	Phosphor Bronze	Tin-plated	5,000pcs

Note:E-Stamping before Tin-plated



C4255 SERIES

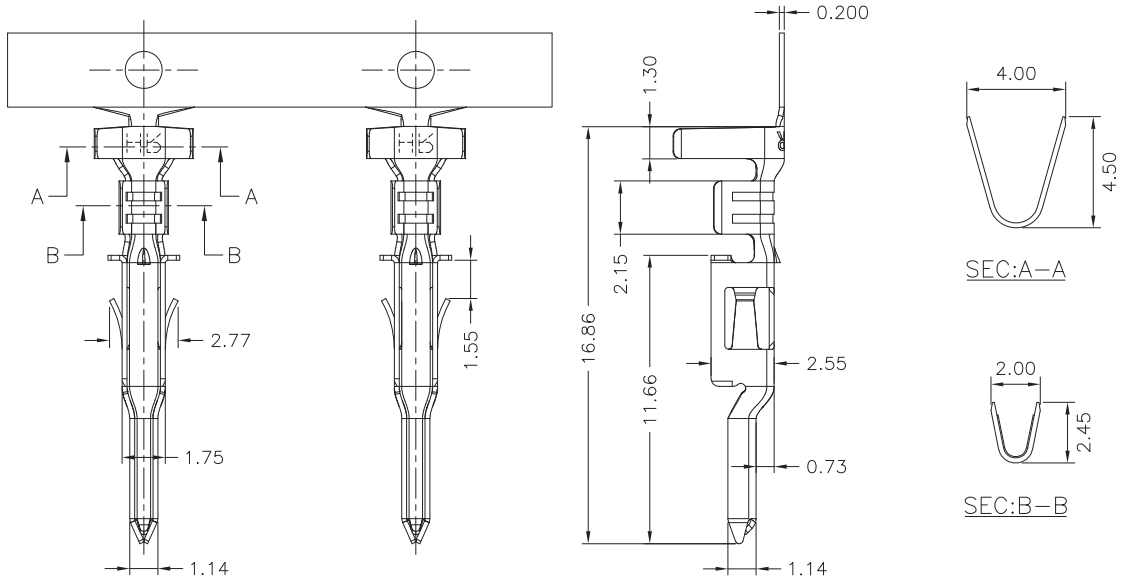
4.20mm pitch wire to wire and wire to board connector

C4255M-T

4.20mm pitch Crimp Terminal

Reference Informations:

*Used in H.R C4255HM or C4255HMA series Housing



Ordering Information & Specifications:

Unit:mm

Part No.	Wire Range	Insulation O.D.	Material	Finish	Qty/reel
C4255M-TBE-A	AWG#18-#24	3.10mm(max)	Brass	Tin-plated	5,000pcs

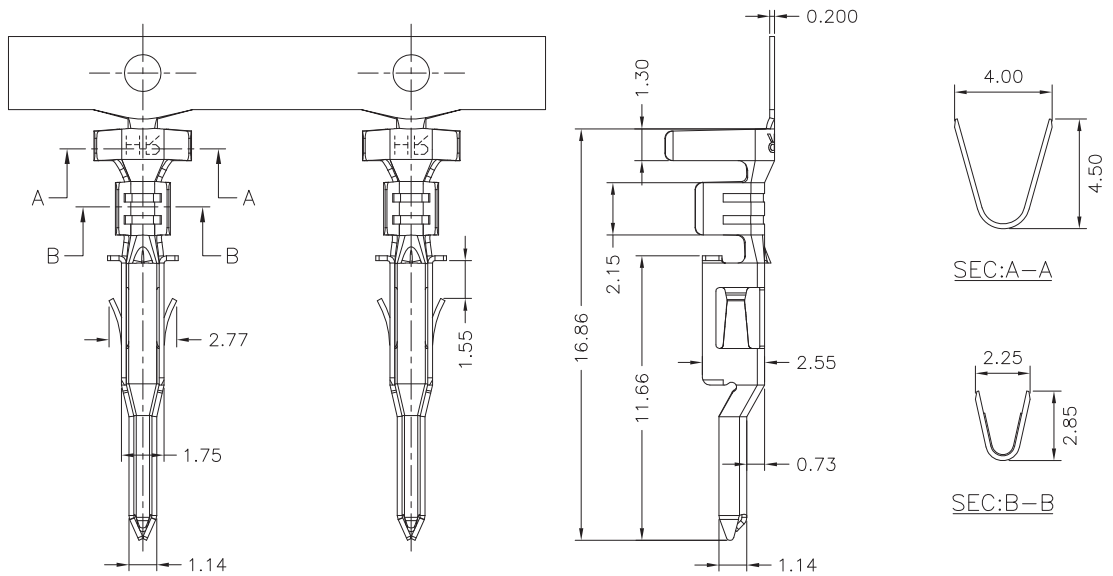
Note:E-Stamping before Tin-plated

C4255M-T

4.20mm pitch Crimp Terminal

Reference Informations:

*Used in H.R C4255HM or C4255HMA series Housing



Ordering Information & Specifications:

Unit:mm

Part No.	Wire Range	Insulation O.D.	Material	Finish	Qty/reel
C4255M-TBE-HA	AWG#16-#24	3.10mm(max)	Brass	Tin-plated	5,000pcs

Note:E-Stamping before Tin-plated



C4255 SERIES

4.20mm pitch wire to wire and wire to board connector

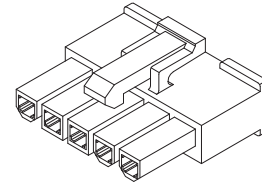
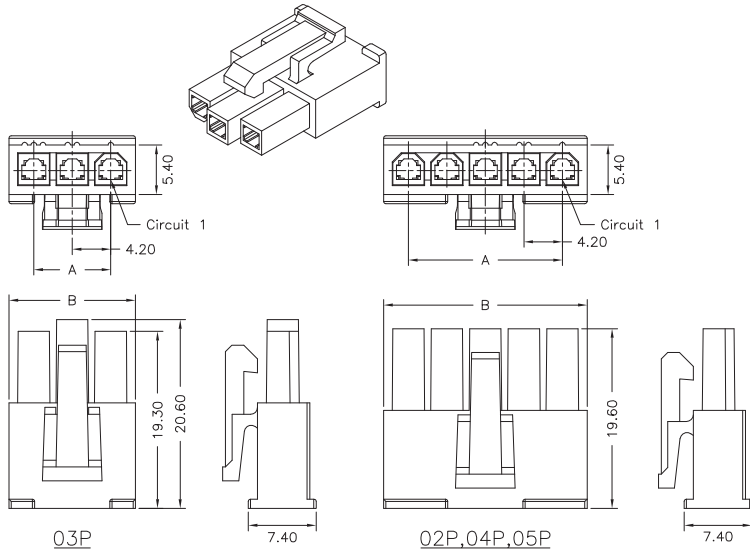
C4255HF

4.20mm pitch Single Row Housing

Reference Informations:

- *Material: Nylon 66,UL94V-2
- *Suitable H.R C4255F series Terminal
- *Mates with H.R C4255HM,C4255HMA series single row Housing or C4255 series single row Wafer
- *Nylon 66,UL94V-0 is available

	C4255HF-05P	N	2	N	NP	N	00	G
		①	②	③	④	⑤	⑥	⑦
①	N=Halogen Free							
②	Material: 2=Nylon 66-V2, 0=Nylon 66-V0							
③	Color: N=Natural(Translucent), W=White							
④	Plating code: NP=Non-plating							
⑤	Plating code: N=Non-plating							
⑥	Option code: 00=Standard							
⑦	Packing code: G=Bag							



Ordering Information & Dimensions:

PART NO.	Dimensions	
	A	B
C4255HF-02P	4.20	9.60
C4255HF-03P	8.40	13.80
C4255HF-04P	12.60	18.00
C4255HF-05P	16.80	22.20

Unit:mm

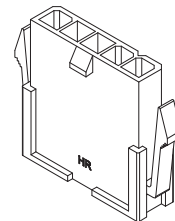
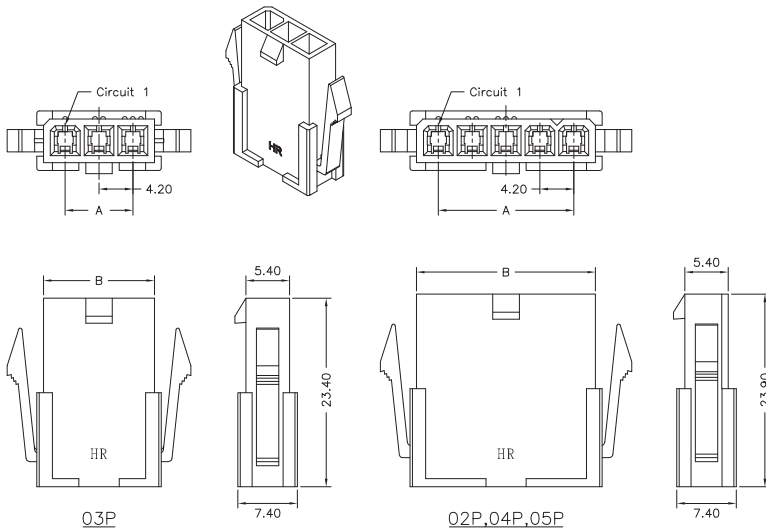
C4255HM

4.20mm pitch Single Row Housing

Reference Informations:

- *Material: Nylon 66,UL94V-2
- *Suitable H.R C4255M series Terminal
- *Mates with H.R C4255HF series single row Housing
- *Nylon 66,UL94V-0 is available

	C4255HM-05P	N	2	N	NP	N	00	G
		①	②	③	④	⑤	⑥	⑦
①	N=Halogen Free							
②	Material: 2=Nylon 66-V2, 0=Nylon 66-V0							
③	Color: N=Natural(Translucent), W=White							
④	Plating code: NP=Non-plating							
⑤	Plating code: N=Non-plating							
⑥	Option code: 00=Standard							
⑦	Packing code: G=Bag							



Ordering Information & Dimensions:

PART NO.	Dimensions	
	A	B
C4255HM-02P	4.20	9.60
C4255HM-03P	8.40	13.80
C4255HM-04P	12.60	18.00
C4255HM-05P	16.80	22.20

Unit:mm



C4255 SERIES

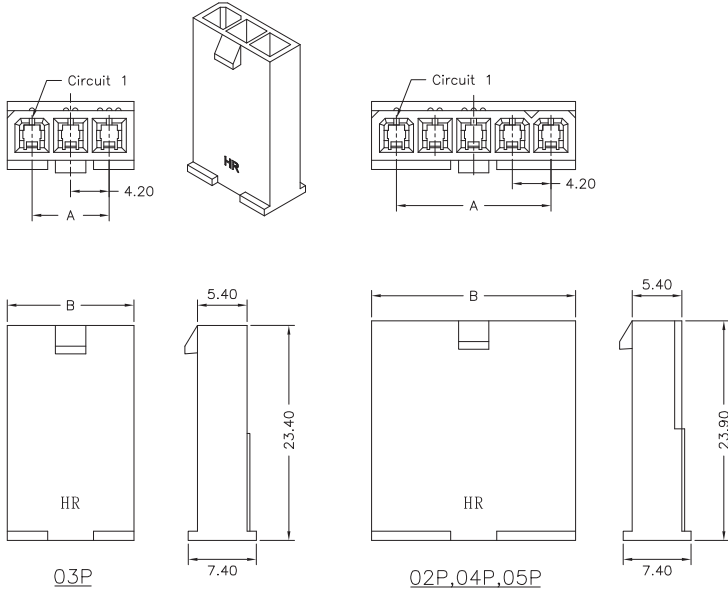
4.20mm pitch wire to wire and wire to board connector

C4255HMA

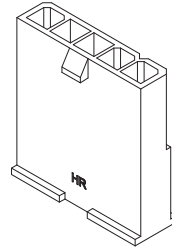
4.20mm pitch Single Row Housing - Without Mounting Ears

Reference Informations:

- *Material: Nylon 66,UL94V-2
- *Suitable H.R C4255M series Terminal
- *Mates with H.R C4255HF series single row Housing
- *Nylon 66,UL94V-0 is available



	C4255HMA-05P						
	N	2	N	NP	N	00	G
	①	②	③	④	⑤	⑥	⑦
① N=Halogen Free							
② Material: 2=Nylon 66-V2, 0=Nylon 66-V0							
③ Color: N=Natural(Translucent), W=White							
④ Plating code: NP=Non-plating							
⑤ Plating code: N=Non-plating							
⑥ Option code: 00=Standard							
⑦ Packing code: G=Bag							



Ordering Information & Dimensions:

PART NO.	Dimensions	
	A	B
C4255HMA-02P	4.20	9.60
C4255HMA-03P	8.40	13.80
C4255HMA-04P	12.60	18.00
C4255HMA-05P	16.80	22.20

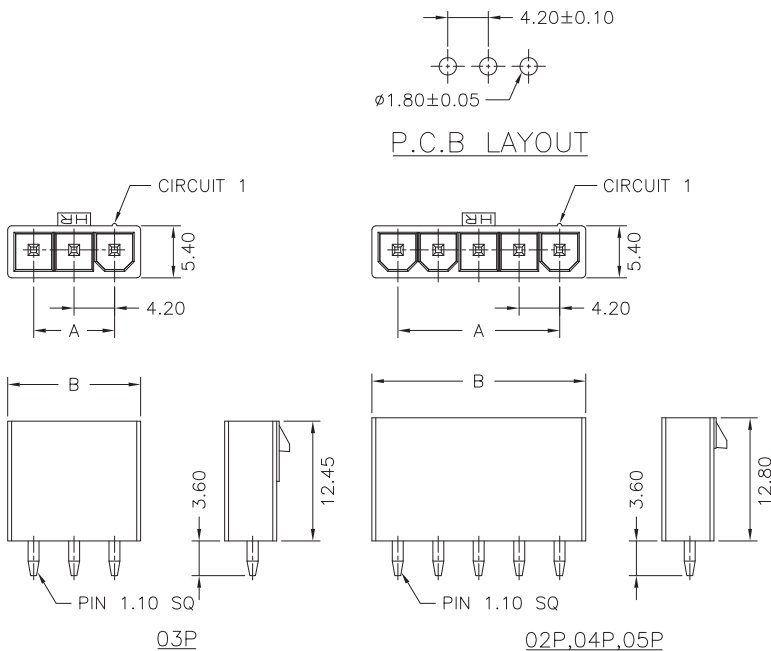
Unit:mm

C4255WV

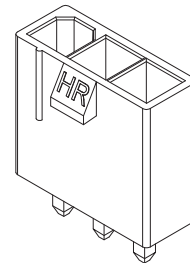
4.20mm pitch 180° Single Row Wafer

Reference Informations:

- *Material: Pin: Brass/Tin-plated
Wafer: Nylon 66,UL94V-2
- *Mates with H.R C4255HF series single row Housing



	C4255WV-05P						
	N	2	N	T1	N	00	B
	①	②	③	④	⑤	⑥	⑦
① N=Halogen Free							
② Material: 2=Nylon 66-V2							
③ Color: N=Natural(Translucent)							
④ Plating code: T1=Tin-plated							
⑤ Plating code: N=Non-plating							
⑥ Option code: 00=Standard							
⑦ Packing code: B=Tray							



Ordering Information & Dimensions:

PART NO.	Dimensions	
	A	B
C4255WV-02P	4.20	9.60
C4255WV-03P	8.40	13.80
C4255WV-04P	12.60	18.00
C4255WV-05P	16.80	22.20

Unit:mm



C4255 SERIES

4.20mm pitch wire to wire and wire to board connector

C4255WR

4.20mm pitch 90° Single Row Wafer

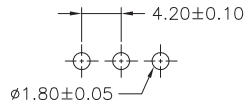
Reference Informations:

*Material: Pin: Brass/Tin-plated

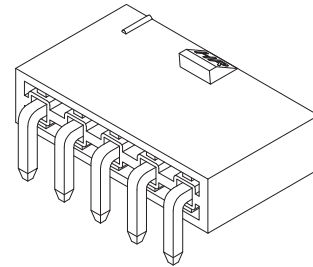
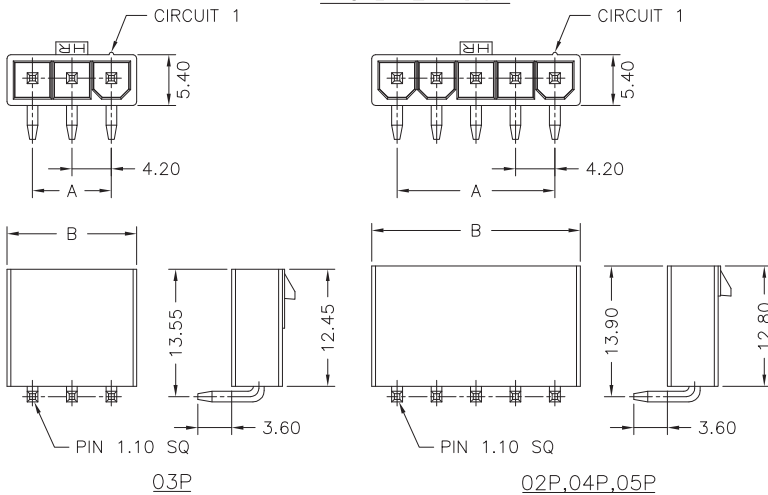
Wafer: Nylon 66,UL94V-2

*Mates with H.R C4255HF series single row Housing

	C4255WR-05P						
	N	2	N	T1	N	00	B
①	②	③	④	⑤	⑥	⑦	
①	N=Halogen Free						
②	Material: 2=Nylon 66-V2						
③	Color: N=Natural(Translucent)						
④	Plating code: T1=Tin-plated						
⑤	Plating code: N=Non-plating						
⑥	Option code: 00=Standard						
⑦	Packing code: B=Tray						



P.C.B. LAYOUT



Ordering Information & Dimensions:

PART NO.	Dimensions	
	A	B
C4255WR-02P	4.20	9.60
C4255WR-03P	8.40	13.80
C4255WR-04P	12.60	18.00
C4255WR-05P	16.80	22.20

Unit:mm

C4255WR-E

4.20mm pitch 90° Single Row Wafer With Ear

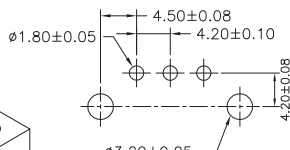
Reference Informations:

*Material: Pin: Brass/Tin-plated

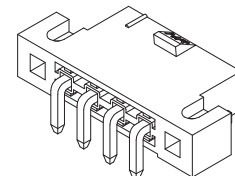
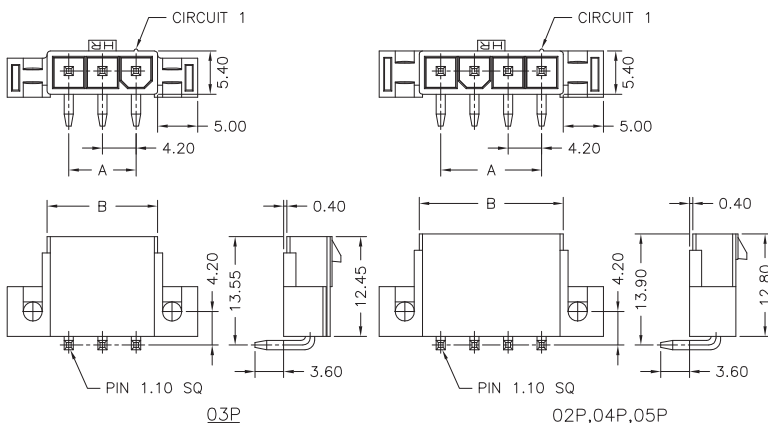
Wafer: Nylon 66,UL94V-2

*Mates with H.R C4255HF series single row Housing

	C4255WR-E-05P						
	N	2	N	T1	N	00	B
①	②	③	④	⑤	⑥	⑦	
①	N=Halogen Free						
②	Material: 2=Nylon 66-V2						
③	Color: N=Natural(Translucent)						
④	Plating code: T1=Tin-plated						
⑤	Plating code: N=Non-plating						
⑥	Option code: 00=Standard						
⑦	Packing code: B=Tray						



P.C.B. LAYOUT



Ordering Information & Dimensions:

PART NO.	Dimensions	
	A	B
C4255WR-E-02P	4.20	9.60
C4255WR-E-03P	8.40	13.80
C4255WR-E-04P	12.60	18.00
C4255WR-E-05P	16.80	22.20

Unit:mm



C4255 SERIES

4.20mm pitch wire to wire and wire to board connector

C4255WR-F

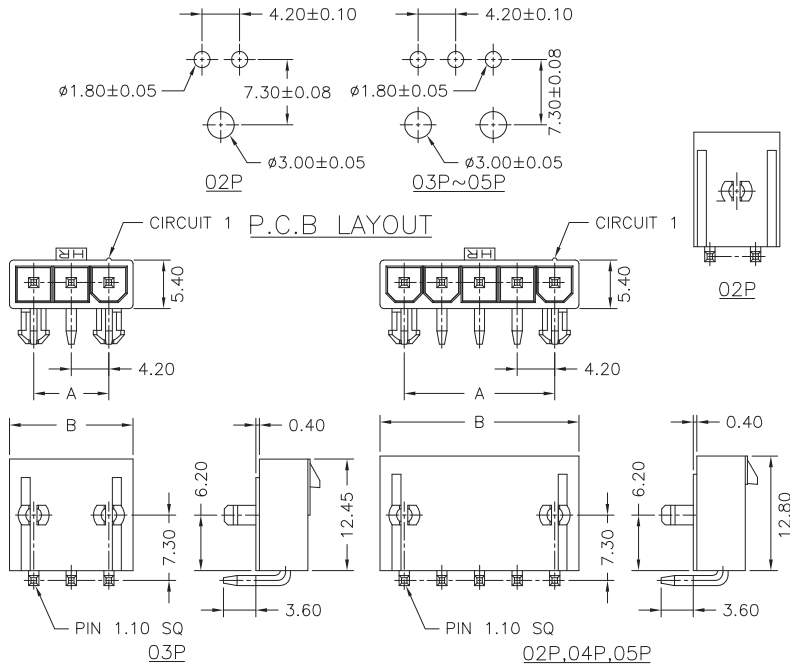
4.20mm pitch 90° Single Row Wafer With Pegs

Reference Informations:

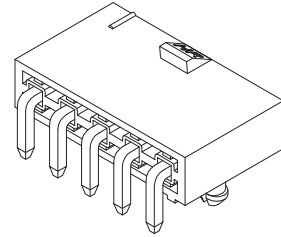
*Material: Pin: Brass/Tin-plated

Wafer: Nylon 66,UL94V-2

*Mates with H.R C4255HF series single row Housing



	C4255WR-F-05P N 2 N T1 N 00 B						
	①	②	③	④	⑤	⑥	⑦
①	N=Halogen Free						
②	Material: 2=Nylon 66-V2						
③	Color: N=Natural(Translucent)						
④	Plating code: T1=Tin-plated						
⑤	Plating code: N=Non-plating						
⑥	Option code: 00=Standard						
⑦	Packing code: B=Tray						



Ordering Information & Dimensions:

PART NO.	Dimensions	
	A	B
C4255WR-F-02P	4.20	9.60
C4255WR-F-03P	8.40	13.80
C4255WR-F-04P	12.60	18.00
C4255WR-F-05P	16.80	22.20

Unit:mm

C4255WVA-F

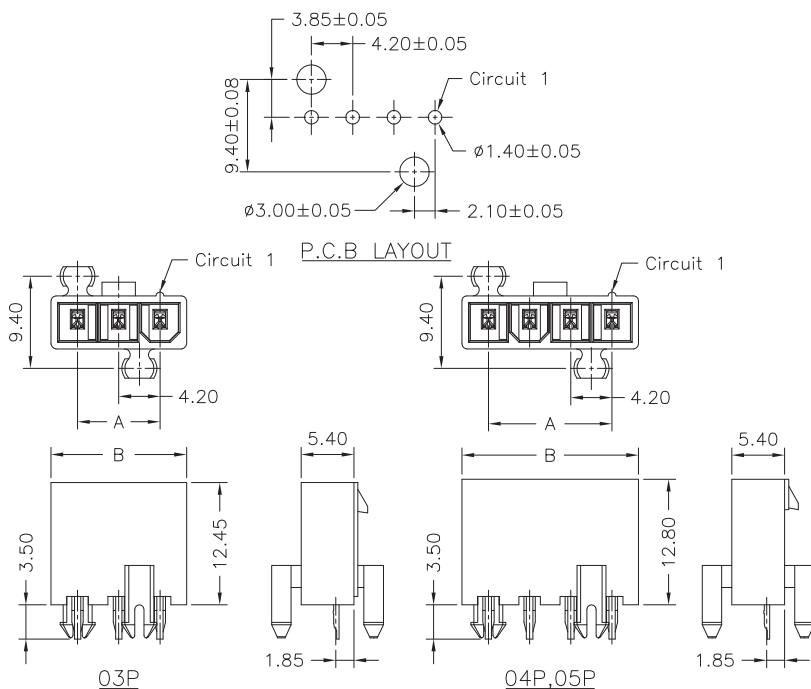
4.20mm pitch 180° Single Row Wafer With Pegs

Reference Informations:

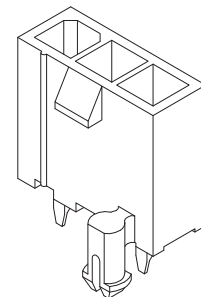
*Material: Pin: Brass/Tin-plated

Wafer: Nylon 66,UL94V-2

*Mates with H.R C4255HF series single row Housing



	C4255WVA-F-05P N 2 N T1 N 00 B						
	①	②	③	④	⑤	⑥	⑦
①	N=Halogen Free						
②	Material: 2=Nylon 66-V2						
③	Color: N=Natural(Translucent)						
④	Plating code: T1=Tin-plated						
⑤	Plating code: N=Non-plating						
⑥	Option code: 00=Standard						
⑦	Packing code: B=Tray						



Ordering Information & Dimensions:

PART NO.	Dimensions	
	A	B
C4255WVA-F-03P	8.40	13.80
C4255WVA-F-04P	12.60	18.00
C4255WVA-F-05P	16.80	22.20

Unit:mm



C4255 SERIES

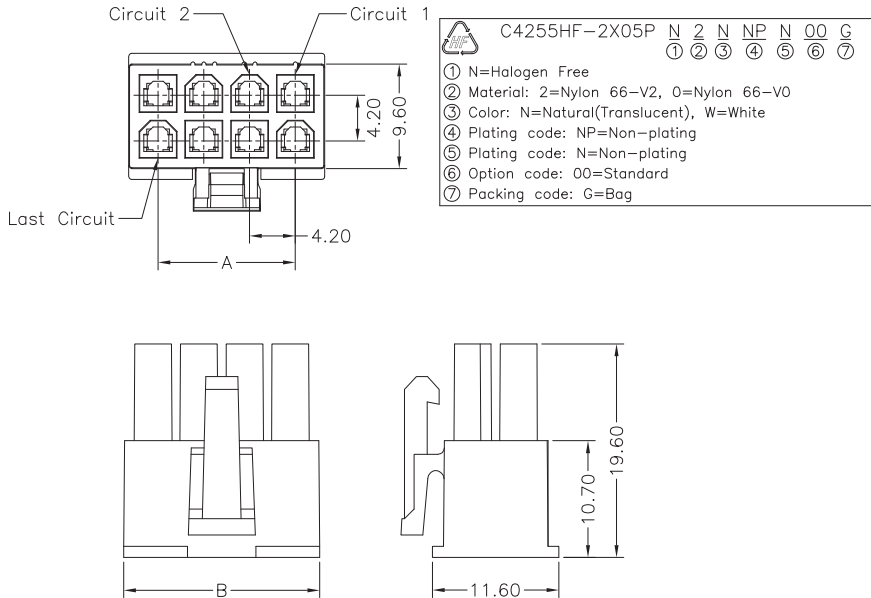
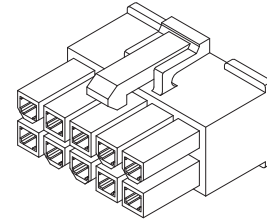
4.20mm pitch wire to wire and wire to board connector

C4255HF-2

4.20mm pitch Dual Row Housing

Reference Informations:

- *Material: Nylon 66,UL94V-2
- *Suitable H.R C4255F series Terminal
- *Mates with H.R C4255HM,C4255HMA series dual row Housing or C4255 series dual row Wafer
- *Nylon 66,UL94V-0 is available



Ordering Information & Dimensions:

PART NO.	Dimensions	
	A	B
C4255HF-2X01P	-----	5.70
C4255HF-2X02P	4.20	9.60
C4255HF-2X03P	8.40	13.80
C4255HF-2X04P	12.60	18.00
C4255HF-2X05P	16.80	22.20
C4255HF-2X06P	21.00	26.40
C4255HF-2X07P	25.20	30.60
C4255HF-2X08P	29.40	34.80
C4255HF-2X09P	33.60	39.00
C4255HF-2X10P	37.80	43.20
C4255HF-2X11P	42.00	47.40
C4255HF-2X12P	46.20	51.60

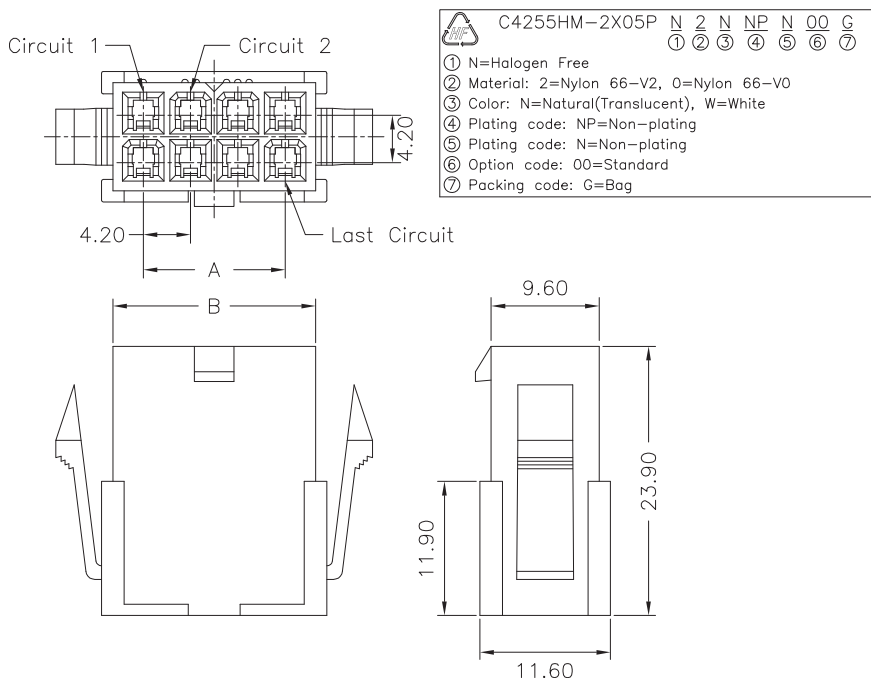
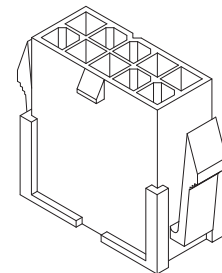
Unit:mm

C4255HM-2

4.20mm pitch Dual Row Housing

Reference Informations:

- *Material: Nylon 66,UL94V-2
- *Suitable H.R C4255M series Terminal
- *Mates with H.R C4255HF series dual row Housing
- *Nylon 66,UL94V-0 is available



Ordering Information & Dimensions:

PART NO.	Dimensions	
	A	B
C4255HM-2X01P	-----	5.40
C4255HM-2X02P	4.20	9.60
C4255HM-2X03P	8.40	13.80
C4255HM-2X04P	12.60	18.00
C4255HM-2X05P	16.80	22.20
C4255HM-2X06P	21.00	26.40
C4255HM-2X07P	25.20	30.60
C4255HM-2X08P	29.40	34.80
C4255HM-2X09P	33.60	39.00
C4255HM-2X10P	37.80	43.20
C4255HM-2X11P	42.00	47.40
C4255HM-2X12P	46.20	51.60

Unit:mm



C4255 SERIES

4.20mm pitch wire to wire and wire to board connector

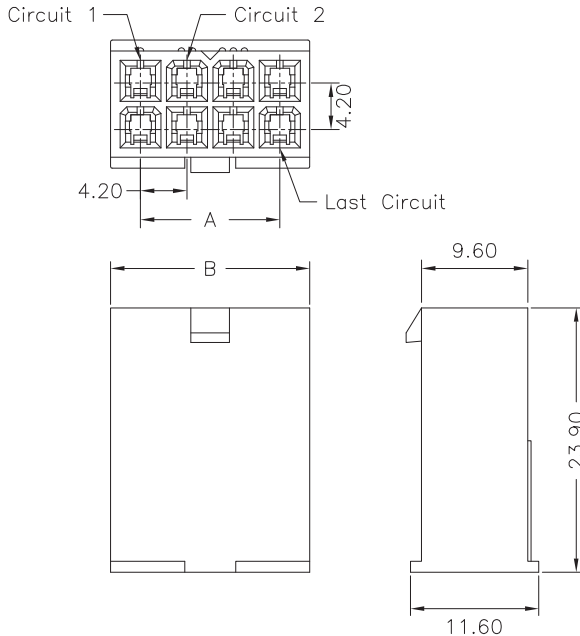
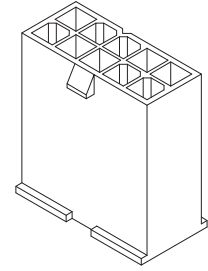
C4255HMA-2

4.20mm pitch Dual Row Housing - Without Mounting Ears

Reference Informations:

- *Material: Nylon 66,UL94V-2
- *Suitable H.R C4255M series Terminal
- *Mates with H.R C4255HF series dual row Housing
- *Nylon 66,UL94V-0 is available

	C4255HMA-2X05P						
	N	2	N	NP	N	00	G
①	②	③	④	⑤	⑥	⑦	
①	N=Halogen Free						
②	Material: 2=Nylon 66-V2, 0=Nylon 66-V0						
③	Color: N=Natural(Translucent), W=White						
④	Plating code: NP=Non-plating						
⑤	Plating code: N=Non-plating						
⑥	Option code: 00=Standard						
⑦	Packing code: G=Bag						



Ordering Information & Dimensions:

PART NO.	Dimensions	
	A	B
C4255HMA-2X01P	-----	5.40
C4255HMA-2X02P	4.20	9.60
C4255HMA-2X03P	8.40	13.80
C4255HMA-2X04P	12.60	18.00
C4255HMA-2X05P	16.80	22.20
C4255HMA-2X06P	21.00	26.40
C4255HMA-2X07P	25.20	30.60
C4255HMA-2X08P	29.40	34.80
C4255HMA-2X09P	33.60	39.00
C4255HMA-2X10P	37.80	43.20
C4255HMA-2X11P	42.00	47.40
C4255HMA-2X12P	46.20	51.60

Unit:mm

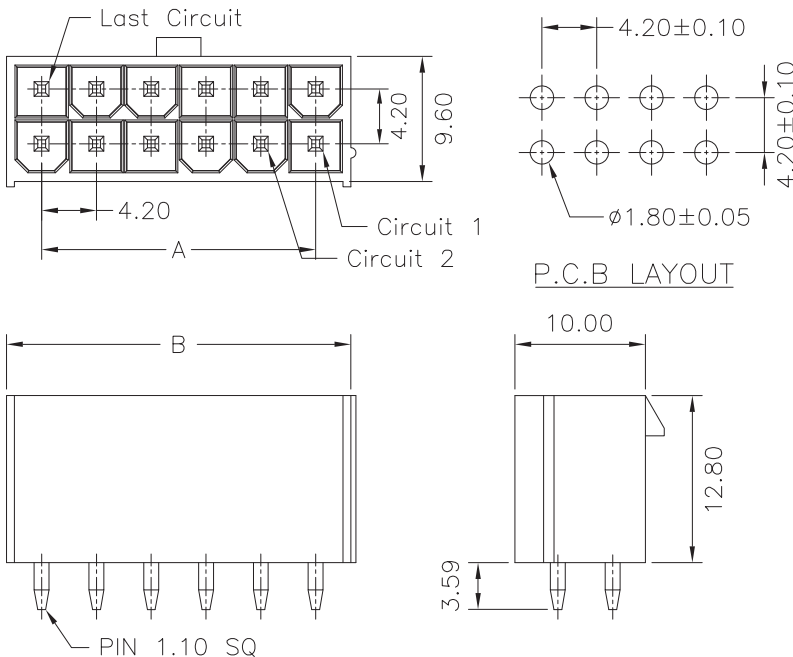
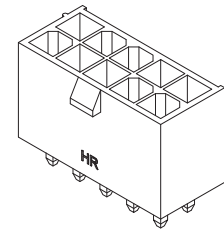
C4255WV-2

4.20mm pitch 180° Dual Row Wafer

Reference Informations:

- *Material: Pin: Brass/Tin-plated
Wafer: Nylon 66,UL94V-2
- *Mates with H.R C4255HF series dual row Housing

	C4255WV-2X05P						
	N	2	N	T1	N	00	B
①	②	③	④	⑤	⑥	⑦	
①	N=Halogen Free						
②	Material: 2=Nylon 66-V2						
③	Color: N=Natural(Translucent)						
④	Plating code: T1=Tin-plated						
⑤	Plating code: N=Non-plating						
⑥	Option code: 00=Standard						
⑦	Packing code: B=Tray						



Ordering Information & Dimensions:

PART NO.	Dimensions	
	A	B
C4255WV-2X01P	-----	5.40
C4255WV-2X02P	4.20	9.60
C4255WV-2X03P	8.40	13.80
C4255WV-2X04P	12.60	18.00
C4255WV-2X05P	16.80	22.20
C4255WV-2X06P	21.00	26.40
C4255WV-2X07P	25.20	30.60
C4255WV-2X08P	29.40	34.80
C4255WV-2X09P	33.60	39.00
C4255WV-2X10P	37.80	43.20
C4255WV-2X11P	42.00	47.40
C4255WV-2X12P	46.20	51.60

Unit:mm



C4255 SERIES

4.20mm pitch wire to wire and wire to board connector

C4255WR-2

4.20mm pitch 90° Dual Row Wafer

Reference Informations:

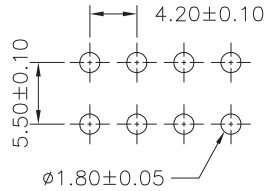
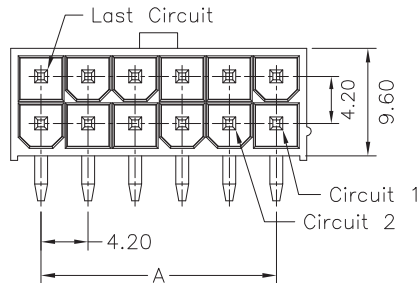
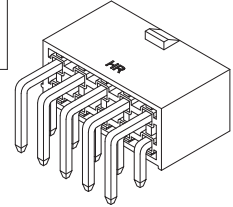
*Material: Pin: Brass/Tin-plated

Wafer: Nylon 66,UL94V-2

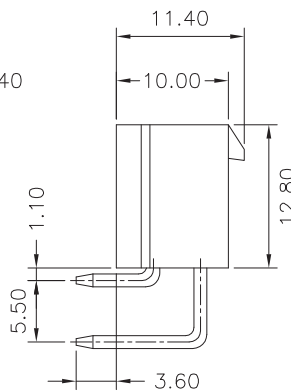
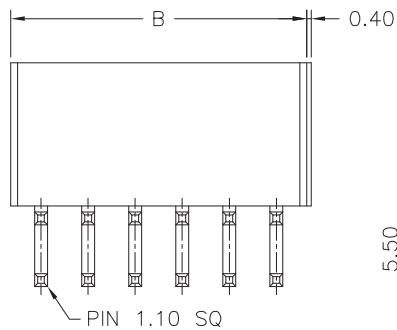
*Mates with H.R C4255HF series dual row Housing

	C4255WR-2X05P	N	2	N	T1	N	00	B
		①	②	③	④	⑤	⑥	⑦

① N=Halogen Free
② Material: 2=Nylon 66-V2
③ Color: N=Natural(Translucent)
④ Plating code: T1=Tin-plated
⑤ Plating code: N=Non-plating
⑥ Option code: 00=Standard
⑦ Packing code: B=Tray



P.C.B LAYOUT



Ordering Information & Dimensions:

PART NO.	Dimensions	
	A	B
C4255WR-2X01P	-----	5.40
C4255WR-2X02P	4.20	9.60
C4255WR-2X03P	8.40	13.80
C4255WR-2X04P	12.60	18.00
C4255WR-2X05P	16.80	22.20
C4255WR-2X06P	21.00	26.40
C4255WR-2X07P	25.20	30.60
C4255WR-2X08P	29.40	34.80
C4255WR-2X09P	33.60	39.00
C4255WR-2X10P	37.80	43.20
C4255WR-2X11P	42.00	47.40
C4255WR-2X12P	46.20	51.60

Unit:mm

C4255WR-E-2

4.20mm pitch 90° Dual Row Wafer With Ear

Reference Informations:

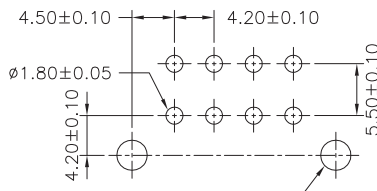
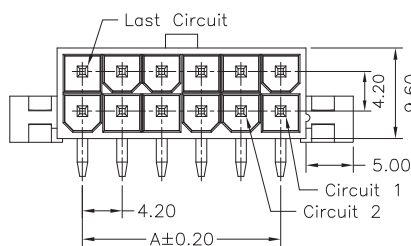
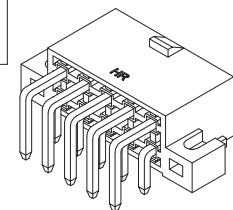
*Material: Pin: Brass/Tin-plated

Wafer: Nylon 66,UL94V-2

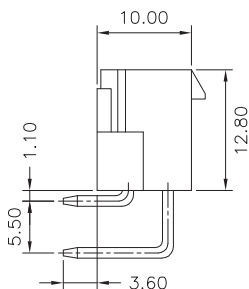
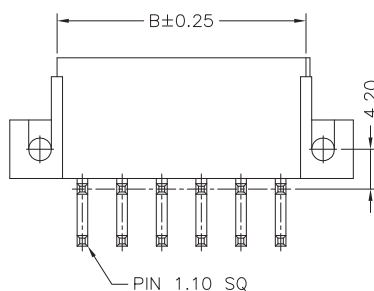
*Mates with H.R C4255HF series dual row Housing

	C4255WR-E-2X05P	N	2	N	T1	N	00	B
		①	②	③	④	⑤	⑥	⑦

① N=Halogen Free
② Material: 2=Nylon 66-V2
③ Color: N=Natural(Translucent)
④ Plating code: T1=Tin-plated
⑤ Plating code: N=Non-plating
⑥ Option code: 00=Standard
⑦ Packing code: B=Tray



P.C.B LAYOUT



Ordering Information & Dimensions:

PART NO.	Dimensions	
	A	B
C4255WR-E-2X01P	-----	5.40
C4255WR-E-2X02P	4.20	9.60
C4255WR-E-2X03P	8.40	13.80
C4255WR-E-2X04P	12.60	18.00
C4255WR-E-2X05P	16.80	22.20
C4255WR-E-2X06P	21.00	26.40
C4255WR-E-2X07P	25.20	30.60
C4255WR-E-2X08P	29.40	34.80
C4255WR-E-2X09P	33.60	39.00
C4255WR-E-2X10P	37.80	43.20
C4255WR-E-2X11P	42.00	47.40
C4255WR-E-2X12P	46.20	51.60

Unit:mm



C4255 SERIES

4.20mm pitch wire to wire and wire to board connector

C4255WR-F-2

4.20mm pitch 90° Dual Row Wafer With Foot

Reference Informations:

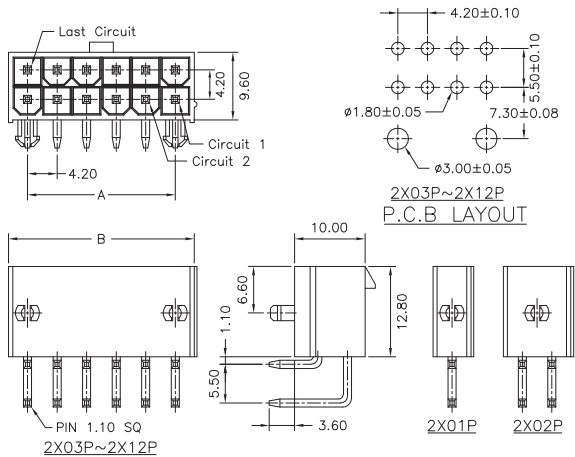
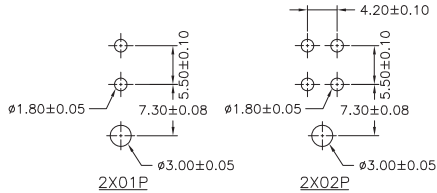
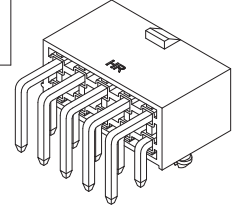
*Material: Pin: Brass/Tin-plated

Wafer: Nylon 66,UL94V-2

*Mates with H.R C4255HF series dual row Housing

C4255WR-F-2X05P N 2 N T1 N 00 B
 ① ② ③ ④ ⑤ ⑥ ⑦

- ① N=Halogen Free
- ② Material: 2=Nylon 66-V2
- ③ Color: N=Natural(Translucent)
- ④ Plating code: T1=Tin-plated
- ⑤ Plating code: N=Non-plating
- ⑥ Option code: 00=Standard
- ⑦ Packing code: B=Tray



Ordering Information & Dimensions:

PART NO.	Dimensions	
	A	B
C4255WR-F-2X01P	----	5.40
C4255WR-F-2X02P	4.20	9.60
C4255WR-F-2X03P	8.40	13.80
C4255WR-F-2X04P	12.60	18.00
C4255WR-F-2X05P	16.80	22.20
C4255WR-F-2X06P	21.00	26.40
C4255WR-F-2X07P	25.20	30.60
C4255WR-F-2X08P	29.40	34.80
C4255WR-F-2X09P	33.60	39.00
C4255WR-F-2X10P	37.80	43.20
C4255WR-F-2X11P	42.00	47.40
C4255WR-F-2X12P	46.20	51.60

Unit:mm

C4255WVA-2

4.20mm pitch 180° Dual Row Wafer

Reference Informations:

*Material: Pin: Brass/Tin-plated

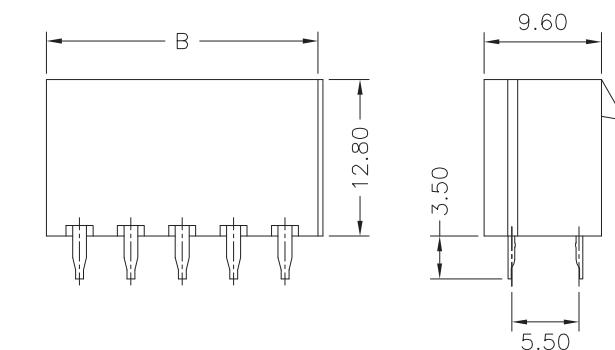
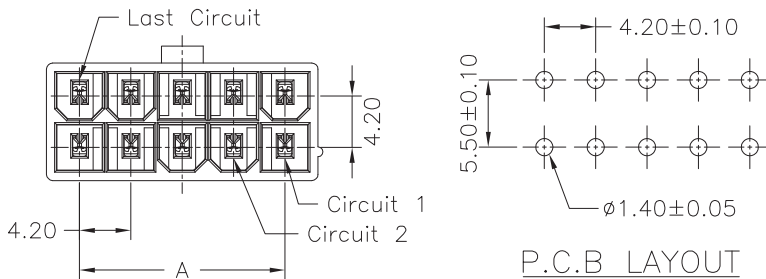
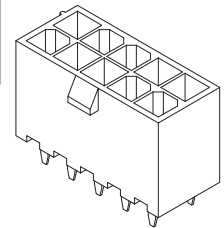
Wafer: Nylon 66,UL94V-2

*Mates with H.R C4255HF series dual row Housing

*Nylon 46 is available

C4255WVA-2X05P N 2 N T1 N 00 B
 ① ② ③ ④ ⑤ ⑥ ⑦

- ① N=Halogen Free
- ② Material: 2=Nylon 66-V2, 0=Nylon 66-V0
- ③ Color: N=Natural(Translucent), W=White
- ④ Plating code: T1=Tin-plated
- ⑤ Plating code: N=Non-plating
- ⑥ Option code: 00=Standard
- ⑦ Packing code: B=Tray



Ordering Information & Dimensions:

PART NO.	Dimensions	
	A	B
C4255WVA-2X01P	----	5.40
C4255WVA-2X02P	4.20	9.60
C4255WVA-2X03P	8.40	13.80
C4255WVA-2X04P	12.60	18.00
C4255WVA-2X05P	16.80	22.20
C4255WVA-2X06P	21.00	26.40
C4255WVA-2X07P	25.20	30.60
C4255WVA-2X08P	29.40	34.80
C4255WVA-2X09P	33.60	39.00
C4255WVA-2X10P	37.80	43.20
C4255WVA-2X11P	42.00	47.40
C4255WVA-2X12P	46.20	51.60

Unit:mm



C4255 SERIES

4.20mm pitch wire to wire and wire to board connector

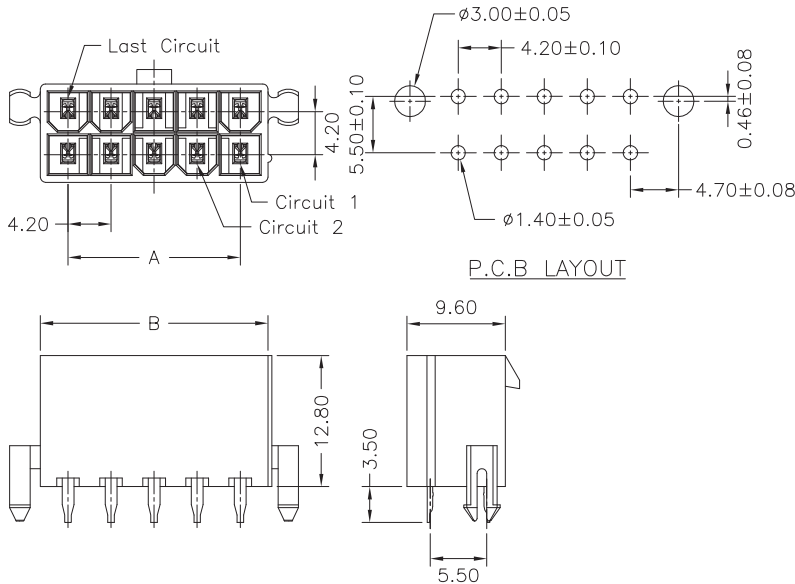
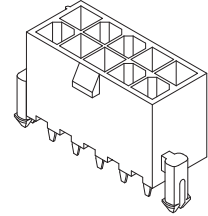
C4255WVA-F-2

4.20mm pitch 180° Dual Row Wafer With Foot

Reference Informations:

- *Material: Pin: Brass/Tin-plated
Wafer: Nylon 66,UL94V-2
- *Mates with H.R C4255HF series dual row Housing
- *Nylon 46 is available

	C4255WVA-F-2X05P						
	N	2	N	T1	N	00	B
	①	②	③	④	⑤	⑥	⑦
①	N=Halogen Free						
②	Material: 2=Nylon 66-V2, 0=Nylon 66-V0						
③	Color: N=Natural(Translucent), W=White						
④	Plating code: T1=Tin-plated						
⑤	Plating code: N=Non-plating						
⑥	Option code: 00=Standard						
⑦	Packing code: B=Tray						



Ordering Information & Dimensions:

PART NO.	Dimensions	
	A	B
C4255WVA-F-2X01P	-----	5.40
C4255WVA-F-2X02P	4.20	9.60
C4255WVA-F-2X03P	8.40	13.80
C4255WVA-F-2X04P	12.60	18.00
C4255WVA-F-2X05P	16.80	22.20
C4255WVA-F-2X06P	21.00	26.40
C4255WVA-F-2X07P	25.20	30.60
C4255WVA-F-2X08P	29.40	34.80
C4255WVA-F-2X09P	33.60	39.00
C4255WVA-F-2X10P	37.80	43.20
C4255WVA-F-2X11P	42.00	47.40
C4255WVA-F-2X12P	46.20	51.60

Unit:mm

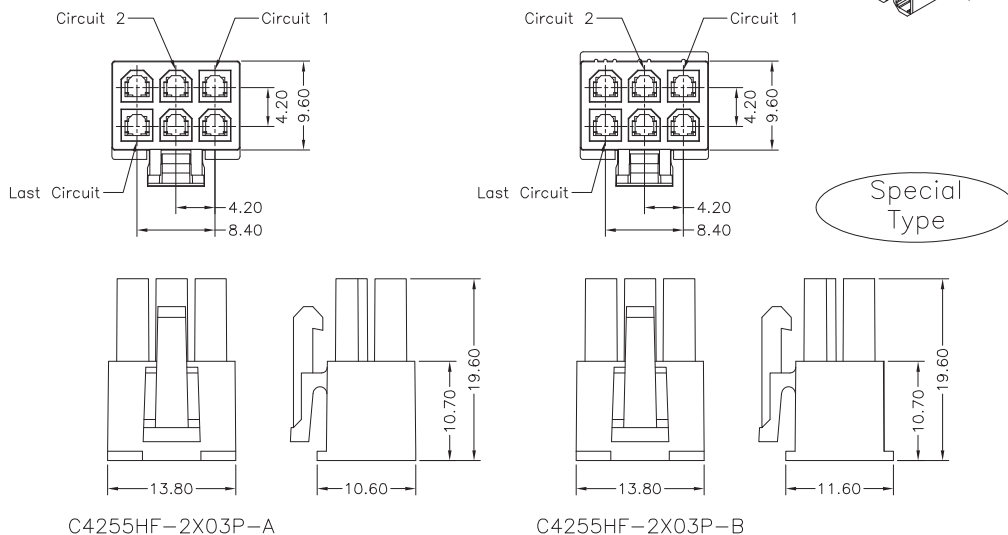
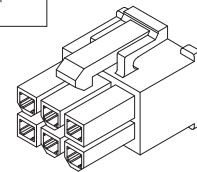
C4255HF-2X03P

4.20mm pitch Dual Row Housing - Special Type

Reference Informations:

- *Material: Nylon 66,UL94V-2,Black
- *Suitable H.R C4255F series Terminal
- *Mates with H.R C4255HM series dual row Housing or C4255 series dual row Wafer

	C4255HF-2X03P						
	N	2	B	NP	N	A0	G
	①	②	③	④	⑤	⑥	⑦
①	N=Halogen Free						
②	Material: 2=Nylon 66-V2						
③	Color: B=Black						
④	Plating code: NP=Non-plating						
⑤	Plating code: N=Non-plating						
⑥	Option code: A0=Special type A, B0=Special type B						
⑦	Packing code: G=Bag						





C4255 SERIES

4.20mm pitch wire to wire and wire to board connector

C4255WR-F-2X03PA

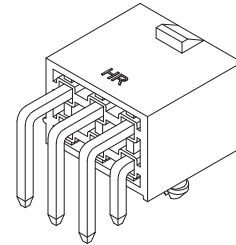
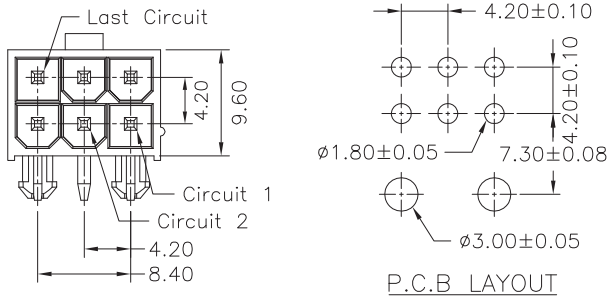
4.20mm pitch 90° Dual Row Wafer With Foot - Special Type

Reference Informations:

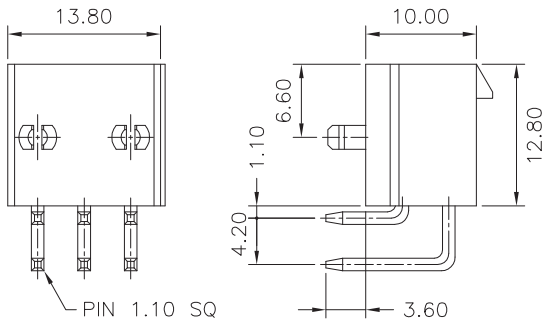
*Material: Pin: Brass/Tin-plated

Wafer: Nylon 66,UL94V-2,Black

*Mates with H.R C4255HF-2X03P series special type Housing



Special Type



	C4255WR-F-2X03P							N	2	B	T1	N	A0	B
	①	②	③	④	⑤	⑥	⑦							

① N=Halogen Free
 ② Material: 2=Nylon 66-V2
 ③ Color: B=Black
 ④ Plating code: T1=Tin-plated
 ⑤ Plating code: N=Non-plating
 ⑥ Option code: A0=Special type A
 ⑦ Packing code: B=Tray

C4255WVA-2

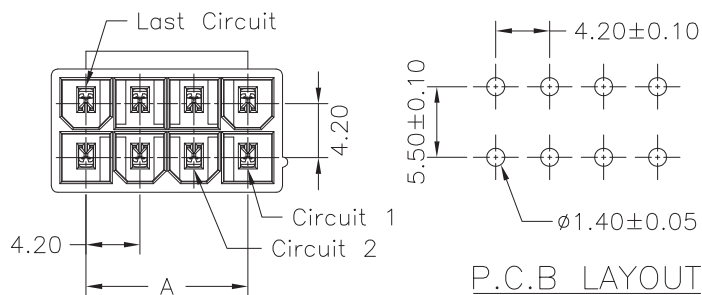
4.20mm pitch 180° Dual Row Wafer - Special Type

Reference Informations:

*Material: Pin: Brass/Tin-plated

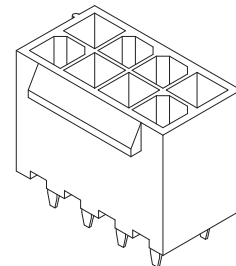
Wafer: Nylon 66,UL94V-2

*Mates with H.R C4255HF series dual row Housing

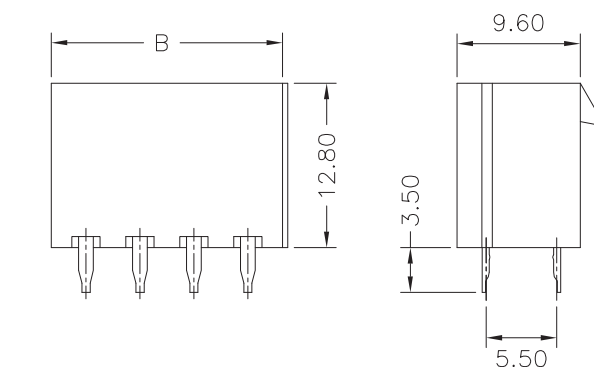


	C4255WVA-2X12P							N	2	N	T1	N	S0	B
	①	②	③	④	⑤	⑥	⑦							

① N=Halogen Free
 ② Material: 2=Nylon 66-V2
 ③ Color: N=Natural(translucent)
 ④ Plating code: T1=Tin-plated
 ⑤ Plating code: N=Non-plating
 ⑥ Option code: S0=Special type
 ⑦ Packing code: B=Tray



Special Type



Ordering Information & Dimensions:

PART NO.	Dimensions	
	A	B
C4255WVA-2X04PS	12.60	18.00
C4255WVA-2X12PS	46.20	51.60

Unit:mm



C4255 SERIES

4.20mm pitch wire to wire and wire to board connector

C4255WVA-F4

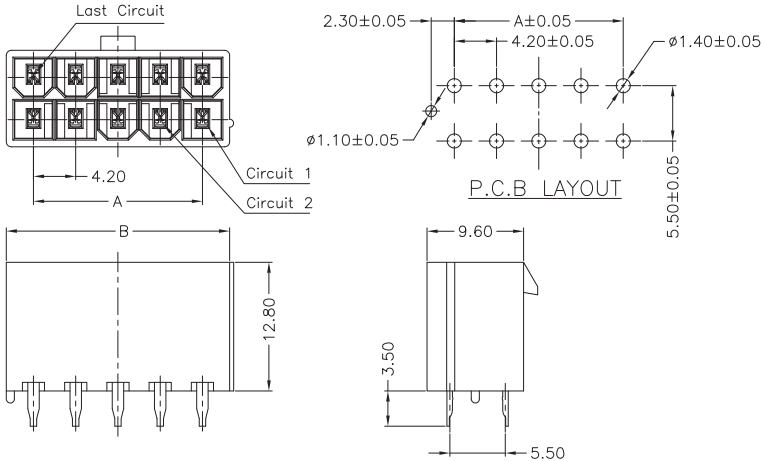
4.20mm pitch 90° Dual Row Wafer With Foot

Reference Informations:

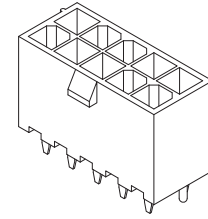
*Material: Pin: Brass/Tin-plated

Wafer: Nylon 66,UL94V-0

*Mates with H.R C4255HF series dual row Housing



	C4255WVA-F4-2X05P		N	0	X	T1	N	00	B
	①	②	③	④	⑤	⑥	⑦		
	① N=Halogen Free ② Material: 0=Nylon 66-V0 ③ Color: B=Black; E=Beige ④ Plating code: T1=Tin-plated ⑤ Plating code: N=Non-plating ⑥ Option code: 00=Standard ⑦ Packing code: B=Tray								



Ordering Information & Dimensions:

PART NO.	Dimensions	
	A	B
C4255WVA-F4-2X01P	---	5.40
C4255WVA-F4-2X02P	4.20	9.60
C4255WVA-F4-2X03P	8.40	13.80
C4255WVA-F4-2X04P	12.60	18.00
C4255WVA-F4-2X05P	16.80	22.20
C4255WVA-F4-2X06P	21.00	26.40
C4255WVA-F4-2X07P	25.20	30.60
C4255WVA-F4-2X08P	29.40	34.80
C4255WVA-F4-2X09P	33.60	39.00
C4255WVA-F4-2X10P	37.80	43.20
C4255WVA-F4-2X11P	42.00	47.40
C4255WVA-F4-2X12P	46.20	51.60

Unit:mm

C4255WVA-F5

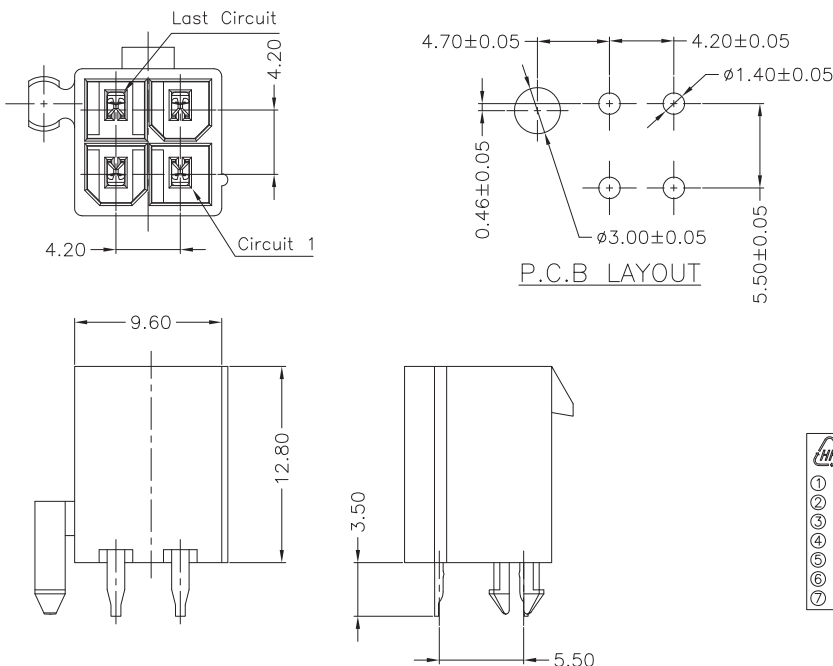
4.20mm pitch 90° Dual Row Wafer With Foot

Reference Informations:

*Material: Pin: Brass/Tin-plated

Wafer: Nylon 66,UL94V-0

*Mates with H.R C4255HF series dual row Housing



	C4255WVA-F5-2X02P		N	0	E	T1	N	00	B
	①	②	③	④	⑤	⑥	⑦		
	① N=Halogen Free ② Material: 0=Nylon 66-V0 ③ Color: E=Beige ④ Plating code: T1=Tin-plated ⑤ Plating code: N=Non-plating ⑥ Option code: 00=Standard ⑦ Packing code: B=Tray								

